

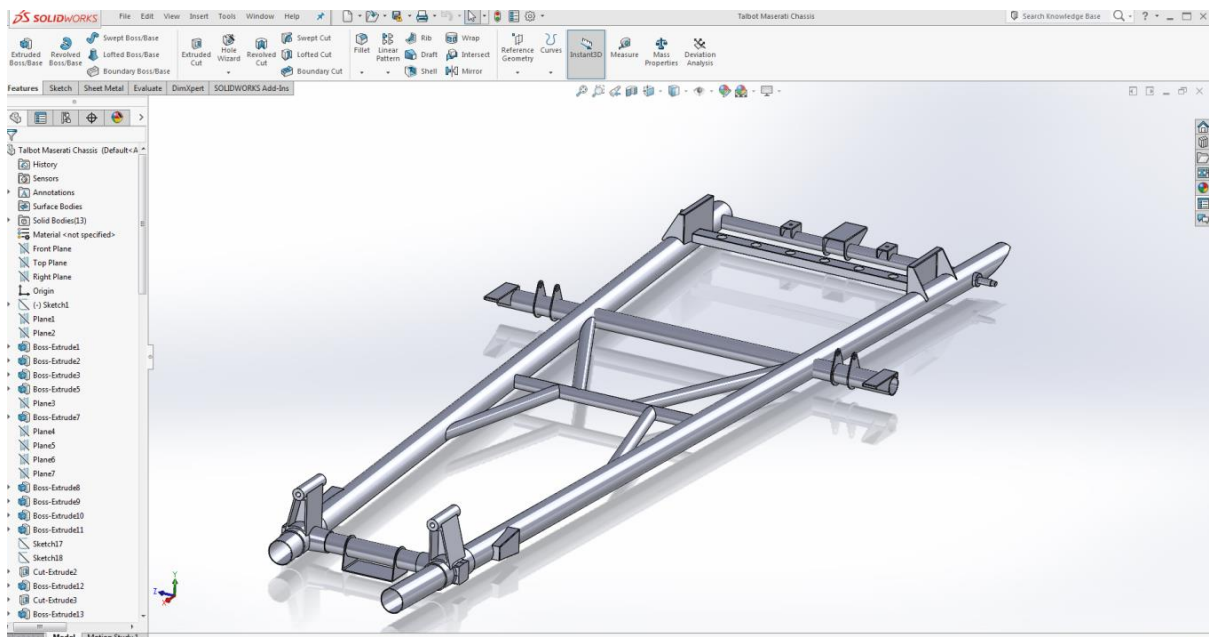


Car Body Design

We can scratch build either classic or bespoke cars to your specification. This brings together all of our skills from mechanical design and engine building to designing and creating bodywork.



1956 Talbot Maserati



The above image shows one half of the chassis in standard form, and the other as a modified configuration to fit the bodywork.